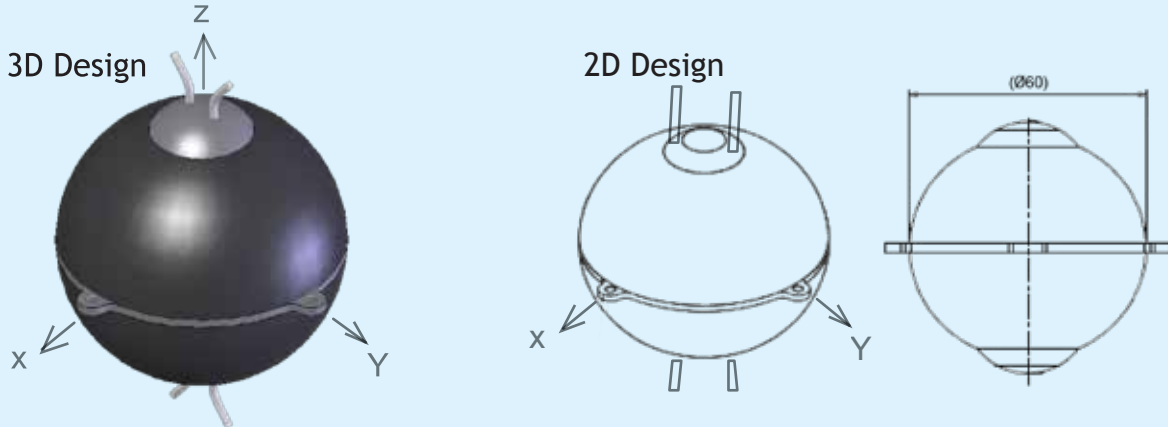


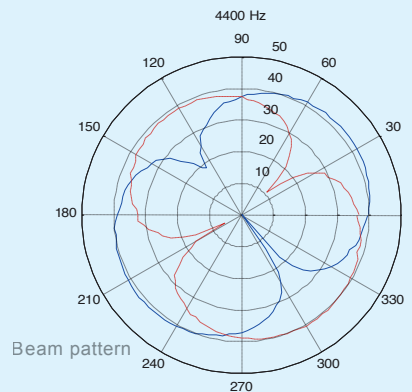
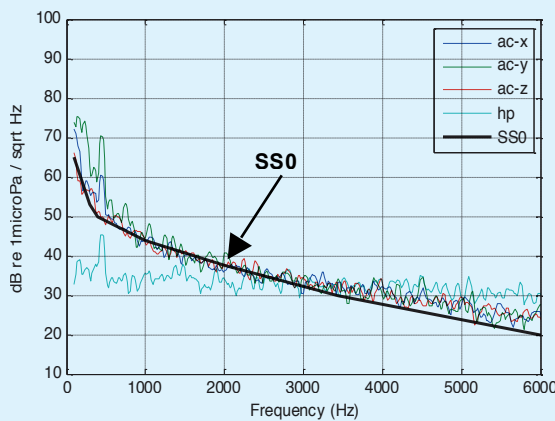
# Accelerometer-based Acoustic Vector Sensor

3D (or 2D) high-sensitivity accelerometers +  
phase-reference hydrophone



First-of-its-kind commercial single crystal acoustic vector sensors and its performance characteristics

Design and Performance Specifications	
Size (w/o pre-amp)	ø65 mm spherical for 3D design
Op. Freq.	100 Hz to 3 kHz
Sensitivity (w/o pre-amp)	Hydrophone: -194 dB re 1V/μPa Accelerometer: 120 mV/g (per x-, y- or z-acc)
Beam pattern	Nice cosine beam pattern with null depth of > 20 dB per acc.
Buoyancy	Neutral (to within 5%)
Noise level	Close to SS0



Please contact us for other details.

**Microfine Materials Technologies Pte Ltd**

10 Bukit Batok Crescent,  
The Spire #06-02, S(658079)  
SINGAPORE

Tel/Fax: +65 6515 3122  
Web: [www.microfine-piezo.com](http://www.microfine-piezo.com)

Product & Sales Enquiries:  
[sales@microfine-piezo.com](mailto:sales@microfine-piezo.com)  
Technical & Other Enquiries:  
[info@microfine-piezo.com](mailto:info@microfine-piezo.com)